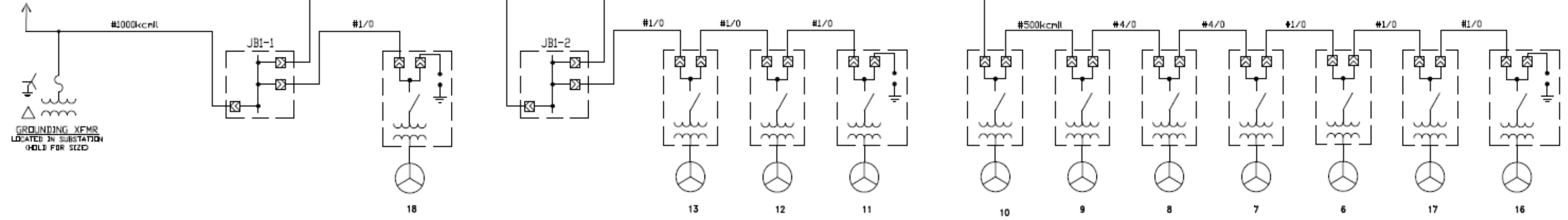


CIRCUIT 1
TO SUBSTATION
BREAKER 52-1



CIRCUIT 2
TO SUBSTATION
BREAKER 52-2

